



ServIt HLR85CH Retractable Cord Ceiling Mount Heat Lamp with Modern Chrome Finish Round Dome Shade

#423HLR85CH

FEATURES

- Attractive chrome finish fits into any theme, perfect for elegant front of house placement
- Aluminum construction is light weight and durable
- Retractable cord adjusts from 42 1/8" - 121", provides easy maneuvering for heat control
- Simple on / off controls; 120V, 250W, hard-wired
- Ceiling mount design eliminates wires on the ground or countertop

TECHNICAL DATA

Length	42 1/8 - 121 Inches
Power Cord Length	23 1/2 - 102 3/8 Inches
Shade Length	11 3/16 Inches
Shade Diameter	11 1/4 Inches
Phase	1 Phase
Voltage	120 Volts
Wattage	250 Watts
Control Type	On/Off
Coverage Area	10 - 12 Inches
Finish	Chrome



CERTIFICATIONS



Hardwired

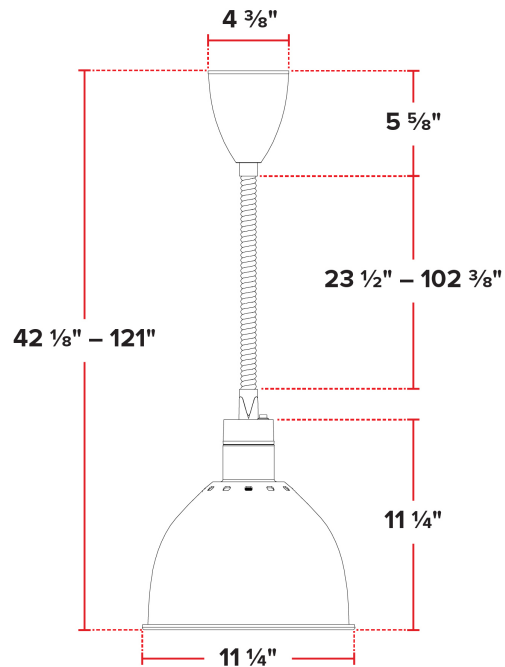


ETL, US

TECHNICAL DATA

Material	Aluminum
Mounting Style	Retractable Cord
Number of Bulbs	1 Bulb
Plug Type	Hardwire
Power Type	Electric
Recommended Clearance Above Plate	10 - 16 Inches
Type	Pendant Lamps

Plan View



Notes & Details

This Servit HLR85CH chrome ceiling mount heat lamp is the perfect way to highlight foods and create a vibrant display and holding area for your culinary creations! It features a $11 \frac{1}{4}$ " diameter round dome shade made from aluminum for superior durability, with a polished chrome finish to create a sleek, professional look while creating an inviting atmosphere to let your customers know you have delicious hot food ready to eat. A retractable cord is used to suspend the lamp from the ceiling, which allows you to adjust it to any length between $42 \frac{1}{8}$ " - 121 " using the heavy-duty ratcheting system. 4 " of bare wire is provided to hard-wire it to your building's electrical lines, and a hardware set with $4 \frac{3}{8}$ " finishing ring cover conceals the installation point and blends the lamp assembly in with the ceiling. The on / off switch is located on the shade so that employees can easily switch the lamp on and turn it off without hassle at the end of a shift.

Since it mounts on your ceiling, this lamp is ideal for creating permanent display areas to showcase foods like pizza by the slice, or it can be used on a buffet setup to help foods look their best. It comes with a 250W shatter-resistant bulb to generate the necessary heat and light, while the coating keeps any shards contained in the event of bulb breakage. This ensures that pieces of glass won't make their way into the food or scatter on the floor where they could potentially cause injury. It requires a 120V electrical connection and must be hard-wired.

⚠ WARNING: This product can expose you to chemicals including lead, which are known to the State of California to cause cancer and birth defects or other reproductive harm. For more information, go to www.p65warnings.ca.gov.