



**T&S BRASS AND BRONZE WORKS, INC.**  
 2 Saddleback Cove / P.O. Box 1088  
 Travelers Rest, SC 29690

Model No.  
**B-0605**

Item No.

Travelers Rest, SC: 800-476-4103 • Simi Valley, CA: 800-423-0150 • Fax: 864-834-3518 • www.tsbrass.com

This Space for Architect/Engineer Approval

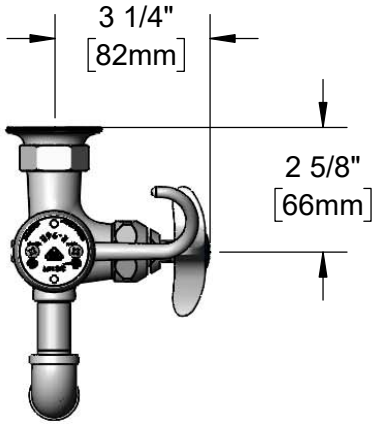
Job Name \_\_\_\_\_ Date \_\_\_\_\_

Model Specified \_\_\_\_\_ Quantity \_\_\_\_\_

Customer/Wholesaler \_\_\_\_\_

Contractor \_\_\_\_\_

Architect/Engineer \_\_\_\_\_



B-0968  
 3/8" NPT  
 Vacuum  
 Breaker

Finger  
 Hook

Quarter-Turn Eterna  
 Cartridge w/  
 Spring Check &  
 4-Arm Handle  
 w/ Blue Index

3 1/2"  
 [89mm]

Hook Nozzle  
 w/  
 Self-Closing  
 Valve

5 1/8"  
 [131mm]

Ø 2" [51mm]  
 Flange w/  
 1/2" NPT  
 Female Inlet

Mounting  
 Surface

68" Flexible  
 Stainless  
 Steel Hose

Product Specifications:

Kettle & Pot Filler Wall Mount Faucet, Quarter-Turn Eterna Cartridge w/ Spring Check, 3/8" NPT Vacuum Breaker, 4-Arm Handle, 68" Flexible Stainless Steel Hose, Hook Nozzle & 1/2" NPT Female Inlet

Product Compliance:

ASME A112.18.1 / CSA B125.1  
 NSF 61 - Section 9  
 NSF 372 (Low Lead Content)  
 ASSE 1001 (VB)  
 2019 DOE PRSV Non-Compliant



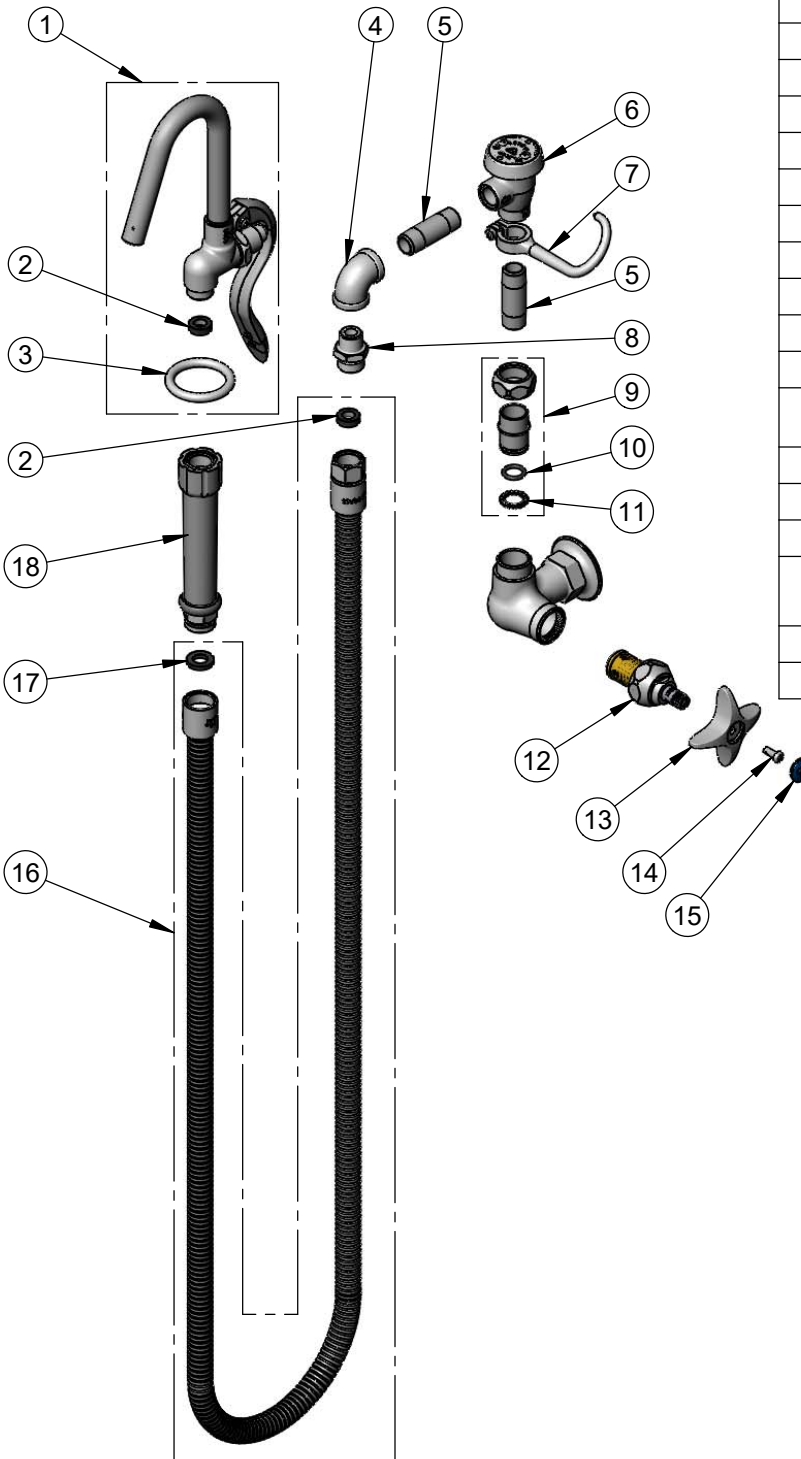
**T&S BRASS AND BRONZE WORKS, INC.**  
 2 Saddleback Cove / P.O. Box 1088  
 Travelers Rest, SC 29690

Model No.  
**B-0605**

Item No.

Travelers Rest, SC: 800-476-4103 • Simi Valley, CA: 800-423-0150 • Fax: 864-834-3518 • www.tsbrass.com

ITEM NO.	SALES NO.	DESCRIPTION
1	002851-40	Hook Nozzle & Spray Valve
2	010476-45	#27 Washer
3	000907-45	Spray Valve Hold Down Ring
4	001355-40	3/8" NPT Elbow
5	000357-40	Nipple, 3/8" NPT x 2"
6	B-0968	3/8" NPT Vacuum Breaker
7	004R	Finger Hook
8	053A	Adapter, 3/8" NPT Male
9	EZ-K	EasyInstall Kit
10	001065-45	O-Ring
11	014200-45	Star Washer, Anti-Rotation
12	012443-40NS	Quarter-Turn Eterna Cartridge w/ Spring Check, RTC
13	002521-45NS	4-Arm Handle (New Style)
14	000925-45	Lab Handle Screw
15	018506-19NS	Blue Button Index, Press-in
16	B-0068-H2A	68" Flexible Stainless Steel Hose, Less Handle
17	001014-45	Washer, B-0100 Hose Barrel
18	002987-40	Grip Handle



Product Specifications:  
**Kettle & Pot Filler Wall Mount Faucet, Quarter-Turn Eterna Cartridge w/ Spring Check, 3/8" NPT Vacuum Breaker, 4-Arm Handle, 68" Flexible Stainless Steel Hose, Hook Nozzle & 1/2" NPT Female Inlet**

Product Compliance:  
 ASME A112.18.1 / CSA B125.1  
 NSF 61 - Section 9  
 NSF 372 (Low Lead Content)  
 ASSE 1001 (VB)  
 2019 DOE PRSV Non-Compliant